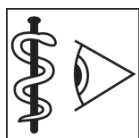


Halogen lamps with reflector MR11

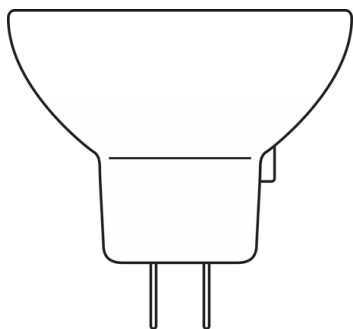


Product family features

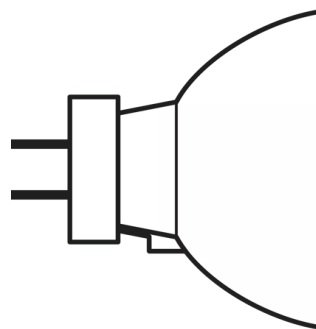
- Xenon instead of krypton as the filler gas (XENOPHOT HLX versions)
- Luminous flux up to 10 % higher with same power consumption (XENOPHOT HLX versions)



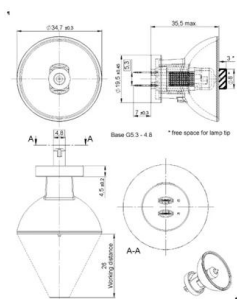
Product family datasheet



487042_HALOGEN LAMP WITH REFLECTOR 64255



383892_Halogen Lamp with reflector MR11



64617S 75W 12V

Product family datasheet

Technical data

| Product description | Product information | Electrical data | | Light technical data | Dimensions & weight | | Lifespan |
|---------------------------------|---------------------|-----------------|-----------------|----------------------|---------------------|---------|----------|
| | Order reference | Nominal voltage | Nominal wattage | Focal length | Diameter | Length | Lifespan |
| 64255 20 W 8 V | 64255 20W 8V G4 | 8 V | 20.00 W | 26.0 mm | 35.0 mm | 32.0 mm | 50 h |
| 64617 75 W 12 V | 64617 M117 75W | 12.0 V | 75.00 W | 26.0 mm | 35.0 mm | 35.5 mm | 25 h |
| 64617 S 75 W 12 V ¹⁾ | 64617 S | 12.0 V | 75.00 W | 26.0 mm | 35.0 mm | 35.5 mm | 25 h |
| 64624 100 W 12 V | 64624 | 12.0 V | 100.00 W | 26.0 mm | 35.0 mm | 35.5 mm | 25 h |

| Product description | Additional product data | | | Capabilities |
|---------------------------------|-------------------------|-----------------------------|------------------------------------|--------------|
| | Coating | Base (standard designation) | Minimum diameter of lamp enclosure | Cooling |
| 64255 20 W 8 V | True | G4 | 35.0 mm | Forced |
| 64617 75 W 12 V | Dichroic | G5.3 | 35.0 mm | Forced |
| 64617 S 75 W 12 V ¹⁾ | Dichroic | G5.3 | 35.0 mm | Forced |
| 64624 100 W 12 V | Dichroic | G5.3 | 35.0 mm | Forced |

| Product description | Burning position | Environmental information Information according Art. 33 of EU Regulation (EC) 1907/2006 (REACH) | | |
|---------------------------------|------------------|--|-------------------------------|------------------------------------|
| | | Date of Declaration | Primary Article Identifier | Candidate List Substance 1 |
| 64255 20 W 8 V | Other | 29-02-2024 | 4050300006833 4008321074218 | No declarable substances contained |
| 64617 75 W 12 V | p90/p15 | 29-02-2024 | 4050300231211 | No declarable substances contained |
| 64617 S 75 W 12 V ¹⁾ | p90/p15 | 29-02-2024 | 4050300461106 | No declarable substances contained |
| 64624 100 W 12 V | p90/p15 | 29-02-2024 | 4050300013916 | No declarable substances contained |

| Product description | Declaration No. in SCIP database | Country specific categorizations |
|---------------------------------|------------------------------------|----------------------------------|
| | | LIF |
| 64255 20 W 8 V | No declarable substances contained | |
| 64617 75 W 12 V | No declarable substances contained | M/117 |
| 64617 S 75 W 12 V ¹⁾ | No declarable substances contained | |
| 64624 100 W 12 V | No declarable substances contained | |

¹⁾ Spot adjustment

Product family datasheet

Application advice

For more detailed application information and graphics please see product datasheet.

References / Links

For further technical information please refer to the following OSRAM brochure:

“Technology and applications, Low-voltage tungsten-halogen lamps”

“Halogen lamps, low and medium voltage for entertainment, technical and medical applications” cross reference list

Disclaimer

Subject to change without notice. Errors and omission excepted. Always make sure to use the most recent release.