

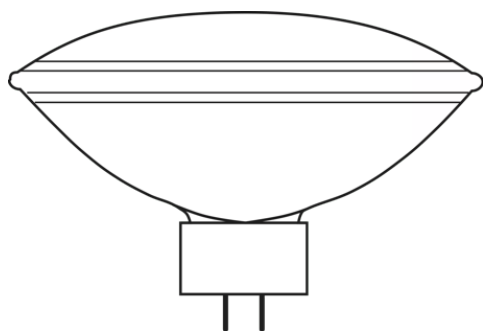
Large PAR Halogen

Halogen lamps with parabolic reflector, including PAR36, PAR56, and PAR64, with pin base



Areas of application

- Concert Lighting
- Club & Disco
- Stage & Theatre
- Architecture & Architainment



PAR 64 HALOGEN LAMPS



Product family datasheet

Technical data

Product description	General Product Information	Electrical Data		Photometric Data
	Global order reference	Nominal wattage	Nominal voltage	Useful luminous flux (Φ_{use})
PAR64 64739/4 MFL ¹⁾	PAR64 64739/4 MFL	1000 W	240 V	15800 lm
PAR64 64738/4 NSP ²⁾	PAR64 64738/4 NSP	1000 W	240 V	15800 lm
PAR64 64737/4 VNSP	PAR64 64737/4 VNSP	1000 W	240 V	15800 lm

Product description	Φ_{use} value refers to luminous flux	Peak luminous intensity	Color temperature	Correlated color temperature CCT
PAR64 64739/4 MFL ¹⁾	90	116000	3200 K	3090 K
PAR64 64738/4 NSP ²⁾	90	255400	3200 K	3090 K
PAR64 64737/4 VNSP	90	307500	3200 K	3090 K

Product description	Chromaticity coordinate x	Chromaticity coordinate y	Color rendering index Ra	Beam type
PAR64 64739/4 MFL ¹⁾	0.430	0.402	100	MFL
PAR64 64738/4 NSP ²⁾	0.431	0.403	100	NSP
PAR64 64737/4 VNSP	0.433	0.404	100	VNSP

Product description	Physical Attributes & Dimensions	Operating Conditions		
	Lamp base	Burning position	Dimmable	Max. permitted ambient temp. pinch point
PAR64 64739/4 MFL ¹⁾	GX16d	hs30 ³⁾	Yes	350 °C
PAR64 64738/4 NSP ²⁾	GX16d	hs30 ³⁾	Yes	350 °C
PAR64 64737/4 VNSP	GX16d	hs30 ³⁾	Yes	350 °C

Product description	Lifetime Data	Environmental & Regulatory Information Information according Art. 33 of EU Regulation (EC) 1907/2006 (REACH)		
	Nominal lifetime	Primary article identifier	Energy efficiency class	Declaration no. in SCIP database
PAR64 64739/4 MFL ¹⁾	300 hr	4062172359252	G	No declarable substances contained
PAR64 64738/4 NSP ²⁾	300 hr	4062172359238	G	No declarable substances contained
PAR64 64737/4 VNSP	300 hr	4062172359214	G	No declarable substances contained

Product description	Candidate list substance 1
PAR64 64739/4 MFL ¹⁾	No declarable substances contained

Product family datasheet

Product description	Candidate list substance 1
PAR64 64738/4 NSP ²⁾	No declarable substances contained
PAR64 64737/4 VNSP	No declarable substances contained

¹⁾ Beam angle: MFL = medium flood

²⁾ Beam angle: NSP = narrow spot

³⁾ Do not tilt perpendicular to the filament

Product family datasheet

Safety advice

To prevent personal injury or damage to property, halogen lamps may only be operated in suitable luminaires designed with suitable mechanisms (cover panel etc.) to ensure that in the event of a lamp bursting no parts/shards can escape and that during operation no ultraviolet radiation can escape. Because of the heat produced only heat-resistant lamp connections (holders) may be used. Do not operate near people, or any materials that are flammable, sensitive to heat or affected by drying out. Detailed information is available on request.

Application advice

For more detailed application information and graphics please see product datasheet.

Disclaimer

Subject to change without notice. Errors and omission excepted. Always make sure to use the most recent release.