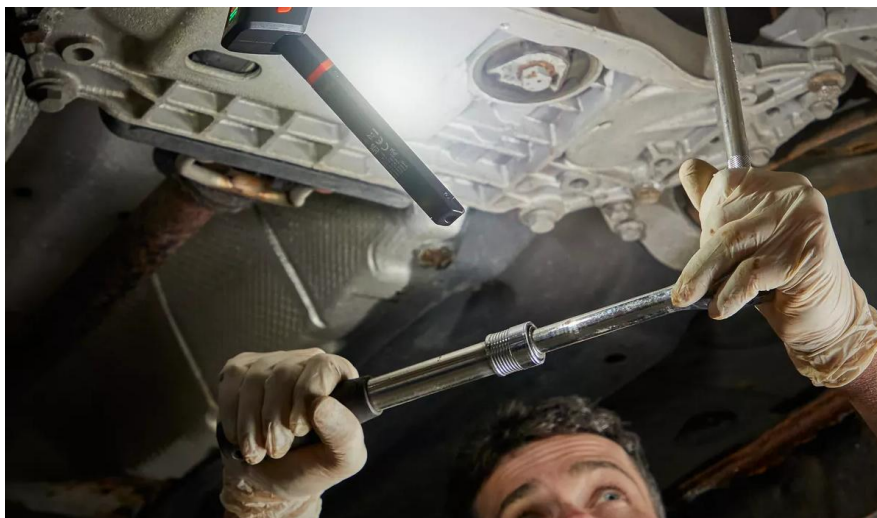


# LEDinspect SLIM 500

Inspectionlights



**Foldable lamp**

High flexibility and diverse adjustment possibilities thanks to multi angle positioning



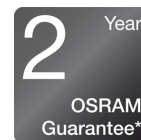
**500 Lumen**

Three light functions - high with up to 500 lm, low with up to 250 lm and torchlight function with up to 70 lm



**Protection class IP54 & IK07**

Protection against the ingress of dust and splashing water according to IP54 and is tested for impact resistance according to IK07



**2-year OSRAM Guarantee**

Systematic quality assurance measures underpin the premium workmanship and functionality of our products. Innovative technology and excellent quality really pay dividends for our customers.

## Product datasheet



### Light is versatile

This high-quality inspection light from OSRAM is perfect for professional and private use. With three light functions - high with up to 500 lm, low with up to 250 lm and torchlight function with up to 70 lm- this light offers high flexibility and diverse adjustment possibilities. The ultra-flat design in combination with the multi-angle positioning -270° rotatable and 180° swiveling- allows the light beam to be directed exactly where it is needed. The inspection light is rechargeable, and the integrated charge level indicator shows the current status of the battery. A USB Type-C charging cable and the corresponding power adaptor are included in the scope of supply. The LEDinspect SLIM 500 can be used for up to six hours at low power and up to four hours at high power. In accordance with IP54 protection rating, this inspection light has protection against ingress of particles with  $\varnothing \geq 1.0$  mm and against splashing water and is tested for impact resistance in accordance with IK07. This LED light is easy to carry, has a non-slip and dirt-repellent surface, includes an integrated hook & magnets for hands-free work and easy attachment, making it ideal for craft activities, car repairs and everyday use. In addition, OSRAM provides a 2-year guarantee on this product\*.

# Product datasheet

## Technical data

### Product information

Order reference	LEDIL403
Application (Category and Product specific)	LED inspection lights

### Electrical data

Nominal wattage	9.62 W
Nominal voltage	3.7 V

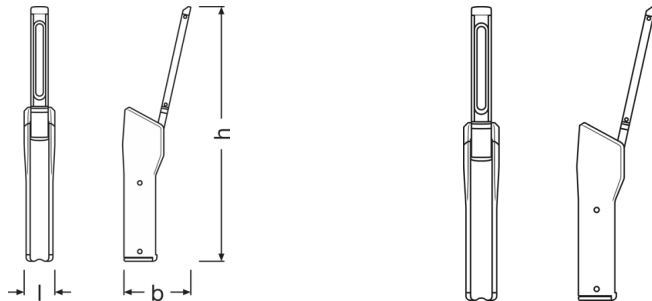
### Photometrical data

Color temperature	6000 K
Luminous flux	500 lm
Light color LED	White

### LED module information

Number of LEDs per module	2
---------------------------	---

### Dimensions & weight



Product weight	155.00 g
Length	327.0 mm
Width	37.0 mm
Height	41 mm

### Colors & materials

Base color	Black / Orange
------------	----------------

### Lifespan

Guarantee	2 years
-----------	---------

## Product datasheet

### Additional product data

Type of Battery	Rechargeable
Number of included batteries	1
Scope of battery	Yes
Battery	High-quality lithium-ion battery

### Capabilities

Technology	LED
------------	-----

### Certificates & standards

Standards	CE/EMC/MSDS/ROHS
IK Class	IK08

### Country specific categorizations

Order reference	LEDIL403
-----------------	----------

### Environmental information

Information according Art. 33 of EU Regulation (EC) 1907/2006 (REACH)	
Date of Declaration	07-03-2024
Primary Article Identifier	4052899623842
Candidate List Substance 1	Lead
CAS No. of substance 1	7439-92-1
Safe Use Instruction	The identification of the Candidate List substance is sufficient to allow safe use of the article.
Declaration No. in SCIP database	abf165c4-c2f3-4ed4-83e9-757384ad2096



Detail



Detail



Detail



## Product datasheet

### Logistical Data

Product code	Product description	Packaging unit (Pieces/Unit)	Dimensions (length x width x height)	Volume	Gross weight
4052899623842	INSPECTION LAMP	Folding carton box 1	68 mm x 54 mm x 182 mm	0.67 dm <sup>3</sup>	575.00 g
4052899623965	INSPECTION LAMP	Shipping carton box 6	187 mm x 152 mm x 202 mm	5.74 dm <sup>3</sup>	6150.00 g

The mentioned product code describes the smallest quantity unit which can be ordered. One shipping unit can contain one or more single products. When placing an order, for the quantity please enter single or multiples of a shipping unit.

### Download Data

File
 User instruction LEDinspect SLIM 500
 Movie application LEDinspect Inspection Lights Trailer

#### Application advice:

For more detailed application information and graphics please see product datasheet and user instruction.

\*for precise conditions please refer to:

[www.osram.com/am-guarantee](http://www.osram.com/am-guarantee)

#### Application advice

For more detailed application information and graphics please see product datasheet.

#### Disclaimer

Subject to change without notice. Errors and omission excepted. Always make sure to use the most recent release.

# OSRAM