

LEDinspect FAST CHARGE PRO500

Inspectionlights



Fast charge technology

Ca. 1h charging time from 0% to 100% battery capacity



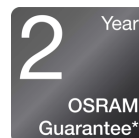
500 Lumen

Two light functions - main light with up to 500 lm and torchlight function with up to 100 lm



Multi-Angle Light Output

Allows different directions of the light beam



2-year-OSRAM guarantee*

Systematic quality assurance measures underpin the premium workmanship and functionality of our products. Innovative technology and excellent quality really pay dividends for our customers.

Product datasheet



Light is versatile

This high-quality inspection light from OSRAM is perfect for professional and private use. With two light functions - main light with up to 500lm and torchlight function with up to 100lm, the appropriate light output can be retrieved depending on the task. While some inspection lights take up to three hours to charge, the FAST CHARGE PRO 500's fast charge function takes the lamp from 0% to 100% battery charge in just about 1 hour while still offering a long service life. The inspection light is rechargeable, and the integrated charge level indicator shows the current state of the battery. A USB Type-C charging cable and the corresponding power adapter are included in the scope of supply. In accordance with IP65 protection rating, this inspection light has protection against dust and water ingress and is tested for impact resistance in accordance with IK08. This LED light is easy to carry, has a non-slip and dirt-repellent surface, includes an integrated hook & magnets for hands-free work and easy attachment, making it ideal for craft activities, car repairs and in everyday life. In addition, OSRAM provides a 2-year guarantee on this product*

Product datasheet

Technical data

Product information

Order reference	LEDIL405
Application (Category and Product specific)	LED inspection lights

Electrical data

Nominal wattage	9.25 W
Nominal voltage	3.7 V

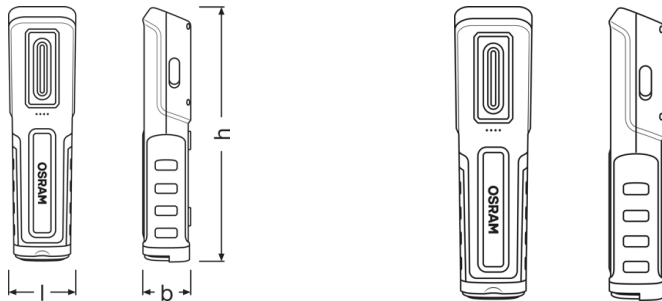
Photometrical data

Color temperature	5700 K
Luminous flux	500 lm
Light color LED	White

LED module information

Number of LEDs per module	2
---------------------------	---

Dimensions & weight



Product weight	380.00 g
Length	204.0 mm
Width	55.0 mm
Height	45.0 mm

Colors & materials

Base color	Black / Orange
------------	----------------

Lifespan

Guarantee	2 years
-----------	---------

Product datasheet

Additional product data

Type of Battery	Rechargeable
Number of included batteries	1
Scope of battery	Yes
Battery	High-quality lithium-ion battery

Capabilities

Technology	LED
------------	-----

Certificates & standards

Standards	CE/EMC/MSDS/ROHS
IK Class	IK08

Country specific categorizations

Order reference	LEDIL405
-----------------	----------

Environmental information

Information according Art. 33 of EU Regulation (EC) 1907/2006 (REACH)	
Date of Declaration	07-03-2024
Primary Article Identifier	4052899623866
Candidate List Substance 1	Lead
CAS No. of substance 1	7439-92-1
Safe Use Instruction	The identification of the Candidate List substance is sufficient to allow safe use of the article.
Declaration No. in SCIP database	2ab9868b-8a12-4d7c-8ebe-1226ecef8902



Detail



Detail



Detail



Product datasheet

Logistical Data

Product code	Product description	Packaging unit (Pieces/Unit)	Dimensions (length x width x height)	Volume	Gross weight
4052899623866	INSPECTION LAMP	Folding carton box 1	98 mm x 58 mm x 220 mm	1.25 dm ³	800.00 g
4052899623989	INSPECTION LAMP	Shipping carton box 6	212 mm x 193 mm x 240 mm	9.82 dm ³	7950.00 g

The mentioned product code describes the smallest quantity unit which can be ordered. One shipping unit can contain one or more single products. When placing an order, for the quantity please enter single or multiples of a shipping unit.

Download Data

File
 User instruction LEDinspect FAST CHARGE PRO 500
 Movie application LEDinspect Inspection Lights Trailer

Application advice:

For more detailed application information and graphics please see product datasheet and user instruction.

*for precise conditions please refer to:

www.osram.com/am-guarantee

Application advice

For more detailed application information and graphics please see product datasheet.

Disclaimer

Subject to change without notice. Errors and omission excepted. Always make sure to use the most recent release.

OSRAM