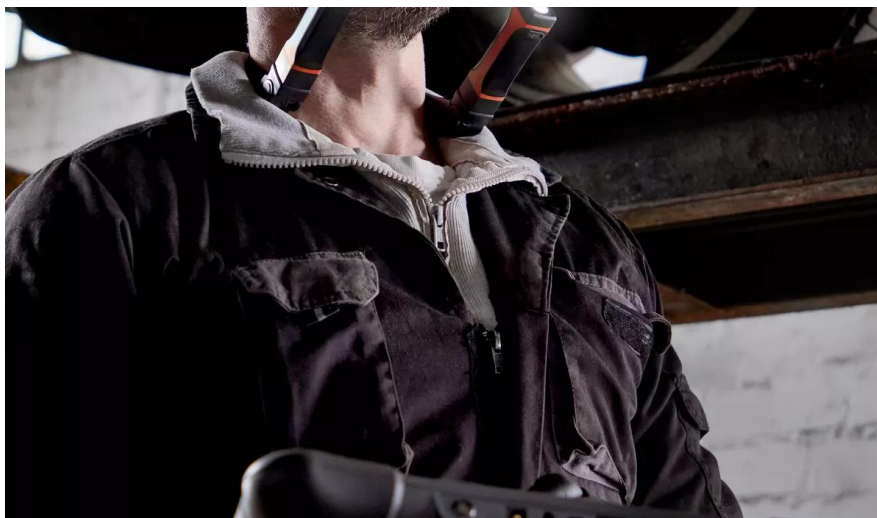


LEDinspect WEARABLE NECKLIGHT



Detachable Torches

High flexibility - can be placed around the neck, on the head, in the hand or on a magnetic surface



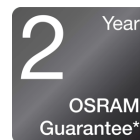
Up to 265 lm (high) & 130 lm (low)

Two light functions: Up to 265 lm (high) and up to 130 lm (low)



Approx. 1.5 hours charging time

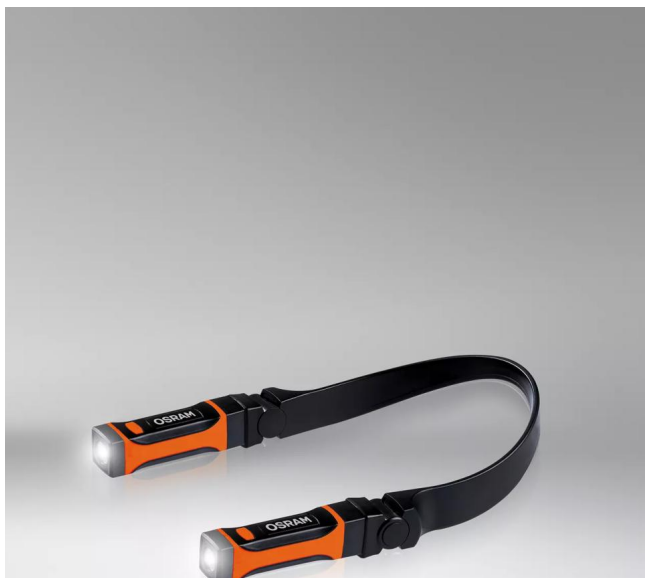
With a charging time of only approx. 1.5 hours, this OSRAM light is quickly ready for use again



2-year OSRAM Guarantee*

Systematic quality assurance measures underpin the premium workmanship and functionality of our products. Innovative technology and excellent quality really pay dividends for our customers.

Product datasheet



Light is versatile

This rechargeable neck light with two individually detachable torches from OSRAM is perfect for professional and private use. With two light functions up to 265lm (high), 130lm (low) and an adjustable 90 degree angle, this offers different setting options for a variety of tasks. The LEDinspect Wearable Neck Light is particularly impressive with its great flexibility - it can be used around the neck, on the head, in the hand or on a magnetic surface. The rechargeable battery allows up to 3 hours of operation at high power or up to 4.5 hours at low power and with a charging time of only about 1.5 hours, this OSRAM lamp is also quickly ready for use again. A USB Micro B charging cable with two connections for the individual lamps to charge the lithium battery is included. In accordance with protection class IP54, this lamp has protection against the ingress of dust particles and against splashing water and has been tested for impact resistance in accordance with IK07. With a weight of only 115g and the flexible design, the product is easy to store and transport and is therefore ideal as a light for handicraft work, craft activities, car repairs and in everyday life. OSRAM also provides a 2-year guarantee* *For precise conditions please refer to: www.osram.com/am-guarantee

Product datasheet

Technical data

Product information

Order reference	LEDIL413
Application (Category and Product specific)	LED inspection lights

Electrical data

Nominal voltage	3.7 V
-----------------	-------

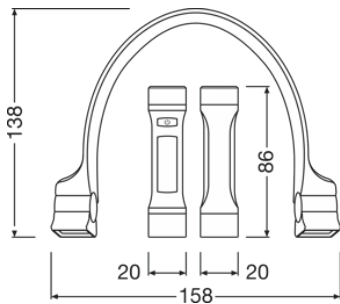
Photometrical data

Color temperature	6500 K
Luminous flux	265 lm
Light color LED	White

LED module information

Number of LEDs per module	1+1
---------------------------	-----

Dimensions & weight



Product weight	115.00 g
Length	224.0 mm
Width	39.0 mm
Height	150 mm

Colors & materials

Base color	Black / Orange
------------	----------------

Lifespan

Guarantee	2 years
-----------	---------

Product datasheet

Additional product data

Type of Battery	Rechargeable
Number of included batteries	1
Battery	High-quality lithium-ion battery 2x3.7V Li-Ion 500mAh

Capabilities

Technology	LED
------------	-----

Certificates & standards

Standards	CE/EMC/MSDS/ROHS/UKCA
IK Class	IK07

Country specific categorizations

Order reference	LEDIL413
-----------------	----------

Environmental information

Information according Art. 33 of EU Regulation (EC) 1907/2006 (REACH)	
Date of Declaration	08-03-2024
Primary Article Identifier	4052899630987
Candidate List Substance 1	Lead
CAS No. of substance 1	7439-92-1
Safe Use Instruction	The identification of the Candidate List substance is sufficient to allow safe use of the article.
Declaration No. in SCIP database	9b7cd37b-d0e8-4a84-abf2-d10e9bfc7dfe

Country specific information

Logistical Data

Product code	Product description	Packaging unit (Pieces/Unit)	Dimensions (length x width x height)	Volume	Gross weight
4052899630987	INSPECTION LAMP	Folding carton box 1	178 mm x 45 mm x 163 mm	1.31 dm ³	197.00 g
4052899631007	INSPECTION LAMP	Shipping carton box 6	344 mm x 158 mm x 211 mm	11.47 dm ³	1429.00 g
4062172315012	INSPECTION LAMP	Shipping carton box 12	362 mm x 338 mm x 242 mm	29.61 dm ³	3448.00 g

Product datasheet

The mentioned product code describes the smallest quantity unit which can be ordered. One shipping unit can contain one or more single products. When placing an order, for the quantity please enter single or multiples of a shipping unit.

Legal advice

Application advice: For more detailed application information and graphics please see product datasheet and the user instruction.

*for precise conditions please refer to:

www.osram.com/am-guarantee

Application advice

For more detailed application information and graphics please see product datasheet.

Disclaimer

Subject to change without notice. Errors and omission excepted. Always make sure to use the most recent release.

The OSRAM logo is displayed in a bold, orange, sans-serif font.