

Flexible Mounting Kit



360° Flexible Mounting

Particularly flexible bracket for the installation of the LEDriving working lights Professional Series PX



Easy Installation

The bracket can be fixed to the vehicle with only one central screw



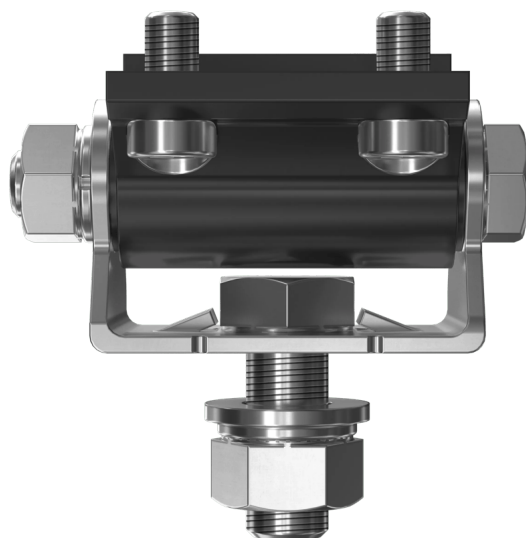
Matrix Portfolio

A vehicle-specific lighting set-up can be put together individually. Mix & match. Vary and combine



5-year OSRAM guarantee

OSRAM products are innovative and technologically high-quality products that are carefully tested and subject to the strict monitoring undertaken by the OSRAM quality assurance system



Professional light for professional work

With the OSRAM LEDriving Professional Series PX working lights portfolio, it is now possible to find exactly the right lighting for a wide range of special professional tasks and applications. Additionally, they can be mounted in three different ways: Direct mounting, flexible standard mounting, and heavy-duty mounting. OSRAM has developed specially designed mounting kits and a cable with DT-connector. The LEDriving Mounting Kit PX for a particular flexible assembly is compatible with all OSRAM LEDriving working lights of the Professional Series PX. It can be mounted to the vehicle with only one central screw, it is quick and easy to mount, and this also allows a faster and easier installation of the LEDriving working lights Professional Series PX. All components of the mounting kit are made of stainless steel, it has a vibration resistance of at least 8g rms and is therefore designed for everyday use on construction site vehicles, tractors, etc. In addition, the bracket can be adjusted to a tilt angle of up to +/- 15 degrees and can even be rotated up to 360° to direct the light of the working lights where it is needed. OSRAM provides a 5-year guarantee on these products¹⁾²⁾¹⁾ Additional working lights without ECE approval for use as work lights are approved for use on any vehicle according to German Road Traffic Licensing Regulations (StVZO) §52 (7). However, they must not be used and switched on while driving. In addition, individual special regulations, and laws of countries outside Germany must be observed.²⁾ For precise conditions refer to: www.osram.com/am-guarantee

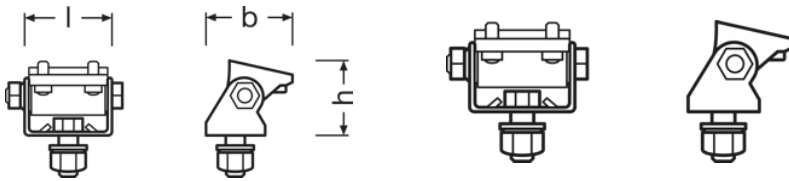
Product datasheet

Technical data

Product information

Order reference	LEDPWL ACC 101
Application (Category and Product specific)	Working light application

Dimensions & weight



Product weight	174.00 g
Length	123.3 mm
Width	35 mm
Height	89.0 mm

Lifespan

Guarantee	5 years
-----------	---------

Additional product data

Connector to lamp	Screw-Connection
-------------------	------------------

Country specific categorizations

Order reference	LEDPWL ACC 101
-----------------	----------------

Logistical data

Commodity code	73269098900
----------------	-------------

Environmental information

Information according Art. 33 of EU Regulation (EC) 1907/2006 (REACH)	
Date of Declaration	23-02-2024
Primary Article Identifier	4062172294768

Product datasheet





Declaration No. in SCIP database	In work
----------------------------------	---------

Logistical Data

Product code	Product description	Packaging unit (Pieces/Unit)	Dimensions (length x width x height)	Volume	Gross weight
4062172294768	Mounting Kit PX LEDPWL ACC 101	Folding carton box 1	94 mm x 40 mm x 130 mm	0.49 dm ³	194.00 g
4062172294775	Mounting Kit PX LEDPWL ACC 101	Shipping carton box 30	576 mm x 213 mm x 145 mm	17.79 dm ³	6074.00 g

The mentioned product code describes the smallest quantity unit which can be ordered. One shipping unit can contain one or more single products. When placing an order, for the quantity please enter single or multiples of a shipping unit.

Download Data

File
 User instruction LEDriving PROFESSIONAL WORKING LIGHTS
 Movie application OSRAM Quality Testing LEDriving working and driving lights (EN)
 Movie application OSRAM LEDdriving and working lights Imagefilm (EN)
 Movie application LEDriving Driving and Working Lights Reference Video (EN)

Safety advice

For detailed application information, please refer to the product data sheet and the user instruction

Legal advice

1) Additional working lights without ECE approval for use as work lights are approved for use on any vehicle according to German Road Traffic Licensing Regulations (StVZO) §52 (7). However, they must not be used and switched on while driving. In addition, individual special regulations, and laws of countries outside Germany must be observed.

2) For precise conditions refer to: www.osram.com/am-guarantee

Application advice

For more detailed application information and graphics please see product datasheet.

Disclaimer

Subject to change without notice. Errors and omission excepted. Always make sure to use the most recent release.

