

## LEDinspect DUAL CHARGE PAD



### Wire-Free Technology

Simply place a compatible worklight on the charging pad to easily hold and recharge



### Flexible mounting options

With strong magnets and screw holes built-in, you can easily attach the charging pad to toolboxes, workbenches and more



### Built to last

IK08 and IP20 rated to survive the rigors of the professional workshop



### The easiest way to recharge two inspection lamps

Removing the need to find and connect the correct charging cable, OSRAM's Wire-Free charging pad securely stores and recharges a pair of suitable inspection lamps, so they are ready when you are. This innovative design not only enhances convenience but also supports an uninterrupted workflow.

# Product datasheet

## Technical data

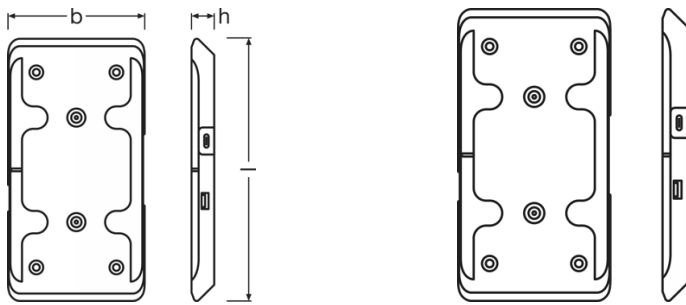
### Product information

Application (Category and Product specific)	LED inspection lights
---	-----------------------

### General Product Information

Global order reference	LEDIL424
------------------------	----------

### Physical Attributes & Dimensions



Product weight	220.00 g
Length	202.2 mm
Width	106.0 mm
Height	105 mm

### Lifetime Data

Guarantee	2 years
-----------	---------

### Capabilities

Technology	LED
------------	-----

### Certificates & standards

Standards	CE / EMC / MSDS / ROHS
-----------	------------------------

### Environmental & Regulatory Information

Information according Art. 33 of EU Regulation (EC) 1907/2006 (REACH)	
Date of declaration	22-09-2024
Candidate list substance 1	Lead
CAS No. of substance 1	7439-92-1

## Product datasheet


<b>Safe use instruction</b>	The identification of the Candidate List substance is sufficient to allow safe use of the article.
<b>Declaration no. in SCIP database</b>	298f9330-2cce-45e2-84a3-cadbe07428a5

### Logistical Data

Product code	Product description	Packaging unit (Pieces/Unit)	Dimensions (length x width x height)	Volume	Gross weight
4062172393188	CHARGING PAD	Folding carton box 1	145 mm x 25 mm x 210 mm	0.76 dm <sup>3</sup>	600.00 g
4062172393195	CHARGING PAD	Shipping carton box 6	440 mm x 160 mm x 101 mm	7.11 dm <sup>3</sup>	6300.00 g

The mentioned product code describes the smallest quantity unit which can be ordered. One shipping unit can contain one or more single products. When placing an order, for the quantity please enter single or multiples of a shipping unit.

### Download Data

File
 User instruction LEDinspect SINGLE CHARGE PAD DUAL CHARGE PAD

### Application advice

For more detailed application information and graphics please see product datasheet.

### Disclaimer

Subject to change without notice. Errors and omission excepted. Always make sure to use the most recent release.

# OSRAM